



## *Vertical Control* **Power Grip**

Congratulations on your purchase of the ProMaster Vertical Control Power Grip for the Nikon D850. This battery grip will provide longer shooting times for your camera, comfortable photography when taking vertical-orientation shots, and a more stable overall camera rig which reduces the chance of shake and blur.

To ensure proper operation, please read this manual thoroughly before using this product.

This grip is especially designed for the Nikon D850 camera. It is equipped with an alternate shutter button and main dial for easy shooting in a vertical position. This battery grip can hold one ENEL15a Li-ion battery in its battery holder tray and one may remain in the camera. By using two batteries you double the shooting time of the camera. A second ENEL15a battery holder tray is included so you can make fast battery changes. Additionally, a battery tray that can hold 8 AA batteries is included as an alternate power source. If you wish, an ENEL18b battery or EH5c AC adapter (with EP-5B power connector) may be used as other power source options (sold separately).

### **Warning**

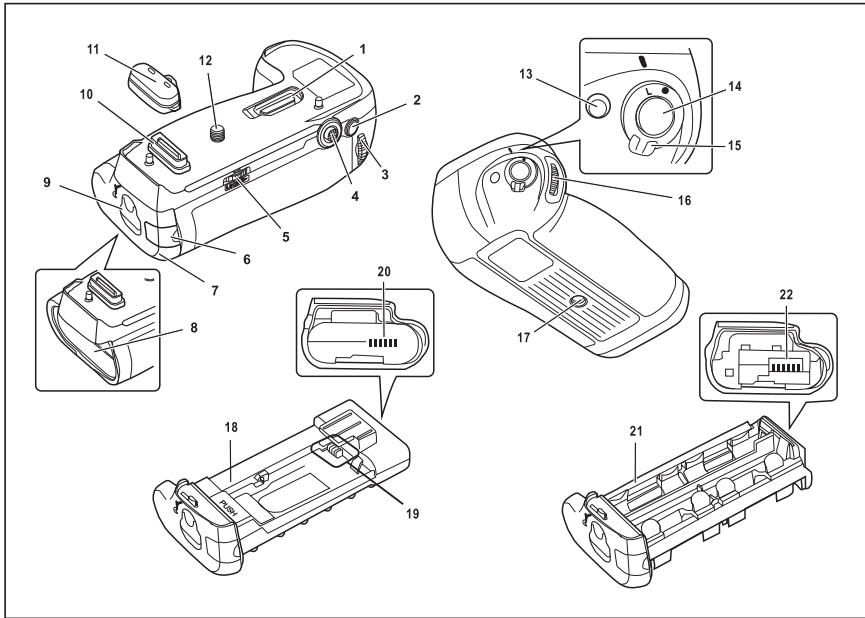
- This product should only be used with compatible devices specified in this instruction sheet.
- Use ONLY the batteries and battery holders recommended.
- The Control lock (15) is not a power switch; use the camera's ON/OFF switch to turn the power on or off.
- Do not have batteries installed in the grip when mounting it to the camera or removing it from the camera.
- Remove batteries from the grip when not in use for an extended period.
- Do not disassemble or repair this product yourself. Doing so will void your warranty.
- Avoid water or extreme humidity and be sure to store in a cool, dry location.
- Do not dispose of in fire or extremely high temperature environment.
- Keep the product and parts away from children to avoid hazard from swallowing.

**Code 8784**

Made in China

**WWW.PROMASTER.COM | FAIRFIELD, CT 06825**

## Part Names



- |  |  |
|--|--|
| 1) Camera cover storage area                               | 12) Attachment screw                           |
| 2) AF-ON button  | 13) Fn button                                  |
| 3) Main command dial                                       | 14) Shutter button                             |
| 4) Multi-selector  | 15) Control Lock                               |
| 5) Attach/detach knob                                      | 16) Sub-command dial                           |
| 6) Power connector cover                                   | 17) Tripod socket                              |
| 7) Battery tray (may be either ENEL15a or AA battery tray) | 18) ENEL15a Battery holder tray                |
| 8) Battery chamber   | 19) Battery contacts                           |
| 9) Battery holder release handle                           | 20) ENEL15a Battery holder tray power contacts |
| 10) Electrical contacts                                    | 21) AA Battery holder tray                     |
| 11) Protective cap   | 22) AA Battery holder tray power contacts      |

## Specifications

Power Source	2 x EN-EN15a, 1 x EN-EL18b, 8 x AA, or EH-5c
Compatible Cameras	Nikon D850
Operating Temperature	0°C to 40°C ( 32°F to 104°F)
Dimensions	Approx. 6" x 2" x 3 1/8"   152mm x 51mm x 79mm
Weight (with 1 tray/ no batteries)	Approx. 7.5 oz.   214 g

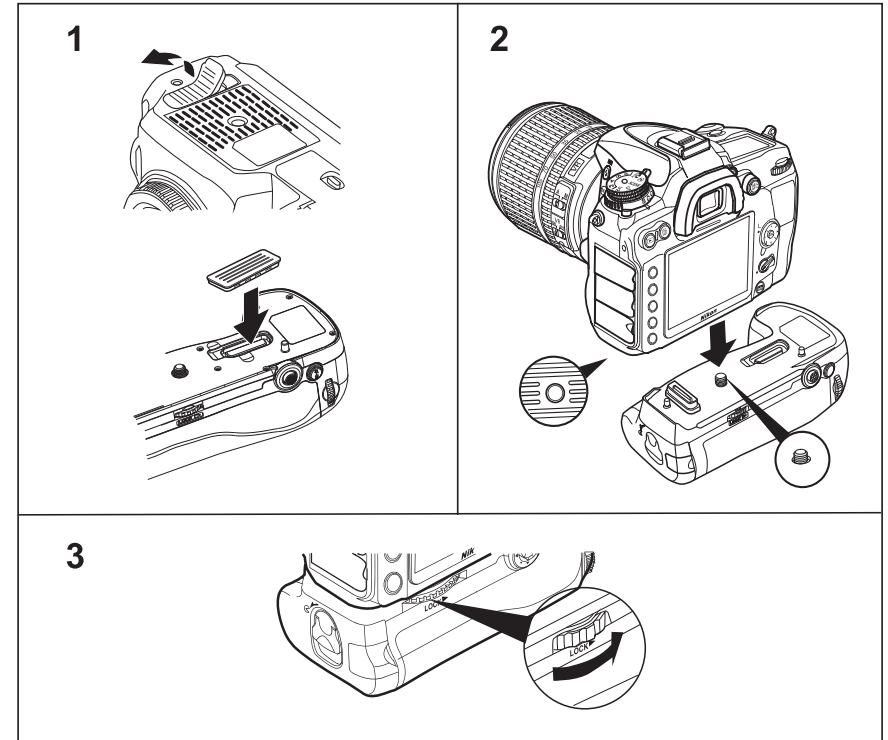
## One Year Unconditional Warranty

If for any reason, this ProMaster product fails within ONE YEAR of the date of purchase, return this product to your ProMaster dealer and it will be exchanged for you at no charge. ProMaster products are guaranteed for ONE FULL YEAR against defects in workmanship and materials. If, at any time after one year, your ProMaster product fails under normal use, we invite you to return it to ProMaster for evaluation.

## Operation and Use of the Grip

1. Your camera must be turned ON for the grip to operate. When your camera is ON the grip's controls may be switched ON or OFF by using the Control lock (15). Please note, the grip will continue to supply power to your camera whether the Control lock (15) is set to ON or OFF. Setting the Control lock to OFF only disables the operation of the grip's camera controls to prevent accidental changes to your camera's settings and/or accidental taking of photographs.
2. Use the grip's Shutter button (14) to comfortably auto focus and take photographs while holding your camera in a vertical position.
3. Use the buttons and command dials such as the AF-ON button (2), Main command dial (3), Multi-selector (4), Fn button (13), and Sub-command dial (16) as you would on your camera. Please note the Multi-selector (4) operates more similarly to the Multi-selector on your camera, rather than the Sub-selector on your camera. These controls have similar but not identical functions.
4. Use the Tripod socket (17) to mount your grip and camera to a tripod or quick release plate.
5. You can access some custom settings for this grip in your camera's SETUP MENU. Here you will find settings for 'battery type' as well as 'battery order'. 'Battery type' is specifically important when you are using the AA tray in your grip. In 'battery order' you can set the D850 to use its in-camera battery before the grip's battery or visa-versa. Refer to your camera's instruction manual for more details about these important settings.

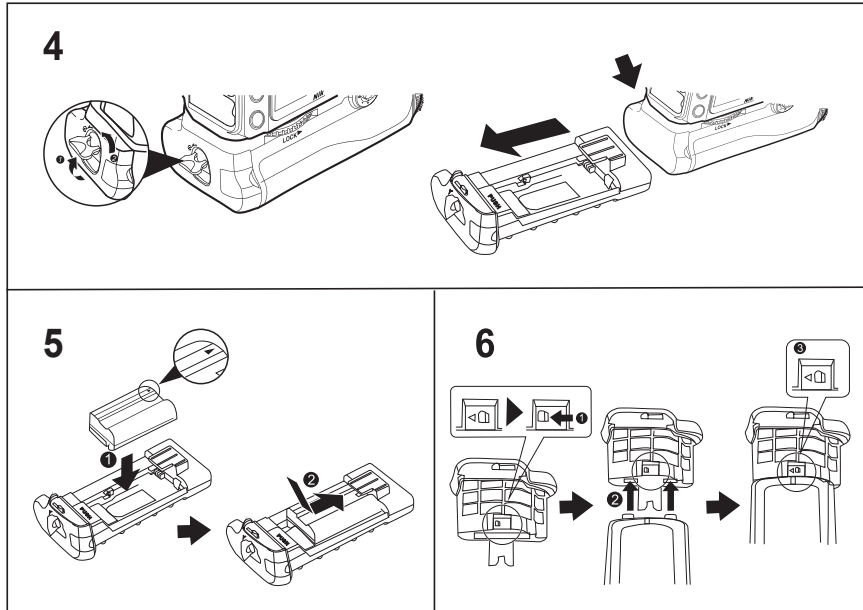
## Attaching To Your Camera



1. Remove the rubber cover on the bottom of the D850 which covers the camera's electrical contacts. Store this rubber cover in the Camera cover storage area (1).
2. Attach the grip to the camera by lining up the Attachment screw (12) with the camera's tripod socket.
3. Use the grip's Attach/detach knob (5) to securely tighten the grip to the camera by rotating it in the direction of the LOCK arrow.

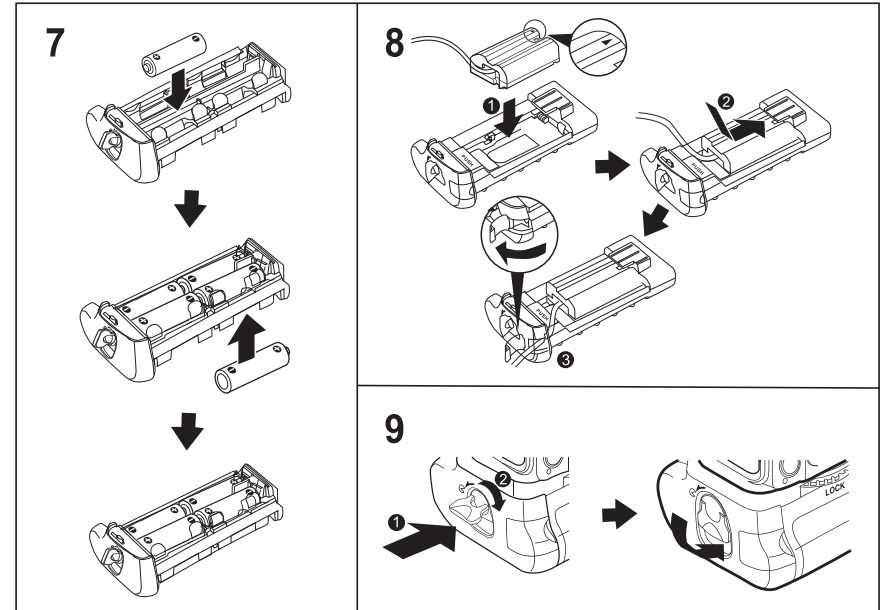
*\*Note: The grip should be installed without any batteries in it.*

## Attaching To Your Camera



4. Turn the Battery holder release handle (9) counterclockwise and pull out to remove the empty Battery tray (7) from the grip.
5. When using the ENEL15a Battery holder tray (18) be sure to line up the battery's contacts with the ENEL15a Battery holder tray power contacts (20). Push the battery down into the cavity in the ENEL15a Battery holder tray (18) and slide it towards the contacts until it 'clicks' into place.
6. An EN-EL18b battery may be used in this grip in place of a battery tray. You will also need the optional BL-5 cover kit. Refer to the BL-5's instructions while referring to diagram 8 to connect the cover kit to the EN-EL18b before inserting it into this grip.

## Installing The Batteries



7. The AA Battery holder tray (21) is yet another option for power. It will work with 8 common 1.5V alkaline, 1.5V lithium, or 1.2V NiMH AA cells. However power from this source will not typically last as long as the ENEL15a or ENEL18b Li-ion battery options or have as good of cold-weather performance. Be sure all AA cells are of the same brand, type, and age before installing them into the AA Battery holder tray (21). Follow the +/- markings on the battery holder tray to ensure all AA cells are installed in the proper orientation.
8. For continuous AC power you may use one of the ENEL15a Battery holder trays (18) along with the Nikon EH5c AC adapter and EP-5B power connector. Install the 'dummy' battery as you would a standard ENEL15a into the tray. Open the Power connector cover (6) on the tray and pass the power cord through it.
9. Once you have chosen your power source and inserted it into the Battery chamber (8) of the grip, turn the Battery holder release handle (9) clockwise to lock the tray into place.